

Crawler Articulating Boom Lifts

# 3 Models with High Reliability and Safety

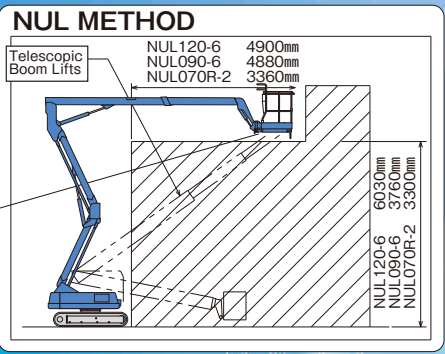


**NUL090-6**

**Best seller!  
Active in Various Sites**

\* The 1st cylinder boot is optional.

Work over obstacles can be achieved. It is unable by telescopic boom lifts.



**NUL120-6**

**Smooth Operation with Joystick Levers**

**NUL070R-2**

**Short Tail Swing Type  
Less worry about rear collision.**

\* The 1st cylinder boot is optional.

**SAFETY SYSTEM**

- Touch Rope Switch
- Lower-Part Priority Switch
- Travel Stop Controller (NUL090-6/NUL120-6)
- Travel Speed Controller
- Body Inclination Angle Alarm
- Emergency Stop Device
- Foot Switch
- Descent Prevention Valve
- Operation Alarm (during Travel or Slewing)
- Emergency Descent Device (Emergency Pump, or Emergency Descent Valve for NUL070R-2)

**SAFETY PRECAUTIONS**

- Requirement of trainings & qualifications to operate the aerial work platforms (AWP), please check the relevant regulations of the country or the region where the AWP is used.

**SAFETY IMPROVED**

- Travel Controllers (All Models)
  - They operate according to platform position.
- Auto Accelerator Function (for NUL090-6 and NUL120-6)
  - Engine revolution increases automatically only in operation.

**Main Functions**

<p><b>Anti-Drop Valves</b> They prevent the booms from dropping due to accidents like hose breakage.</p>	<p><b>Auto Idling Function</b> Environmentally friendly - Engine idles automatically when not in operation.</p>	<p><b>Simple Control Panel</b> User-friendly layout of levers - Easy to operate smoothly.</p>	<p><b>Platform Swing Function</b> Max swing angles are as below.</p> <table border="1"> <thead> <tr> <th></th> <th>Left</th> <th>Right</th> </tr> </thead> <tbody> <tr> <td>•NUL070R-2</td> <td>90°</td> <td>40°</td> </tr> <tr> <td>•NUL090-6</td> <td>90°</td> <td>45°</td> </tr> <tr> <td>•NUL120-6</td> <td>90°</td> <td>45°</td> </tr> </tbody> </table>		Left	Right	•NUL070R-2	90°	40°	•NUL090-6	90°	45°	•NUL120-6	90°	45°
	Left	Right													
•NUL070R-2	90°	40°													
•NUL090-6	90°	45°													
•NUL120-6	90°	45°													
<p><b>Grey Rubber Crawlers</b> Minimizing scars and marks on the floor.</p>	<p><b>Rubber Protectors</b> Hydraulic hoses and cables are protected from falling objects.</p>	<p><b>Platform</b> High safety is ensured by touch rope switch and emergency stopper.</p>	<p><b>Travel Remote Controller (Optional)</b> Travel operation can be controlled. Connected to lower control panel.</p>												

